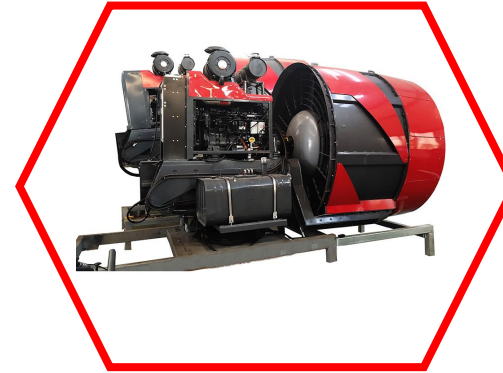


Fire truck product introduction



Press CTRL and click here



Contents

01

Fire truck shutter door

02

Fire truck crew cabin door

03

Fire engine breathing seat

04

Smoke exhaust system of
fire engine

05

fire truck ladder





Shanghai Zishu Industrial Co.,Ltd Specialized in producing parts for different trucks body. Such as refrigerated trucks, curtain trucks ,wing open trucks, containers, semi-trailers, fire trucks, military shelters ,pick-up trucks etc.

Our main parts: roller shutters for trucks and cabinets ,cargo track ,cargo bar, door lock ,hinge ,spring bolt, toggle latch, door holder, seal gasket , mud guard fenders ,corner casting ,wheel chock and holder, winch and winch bars, lashing ring, paddle lock ,buckle, roller ,handle ,tensioner ,rubber buffer ,truck camera etc .

Zishu insists on the policy “Top Product, Top Service “.we will learn new technology and develop new products to meet the demands of the market .

Zishu welcome all world customers for visiting, inspecting ,and cooperation ,let us create a wonderful future together !





Innovation leads the future

Honesty makes quality

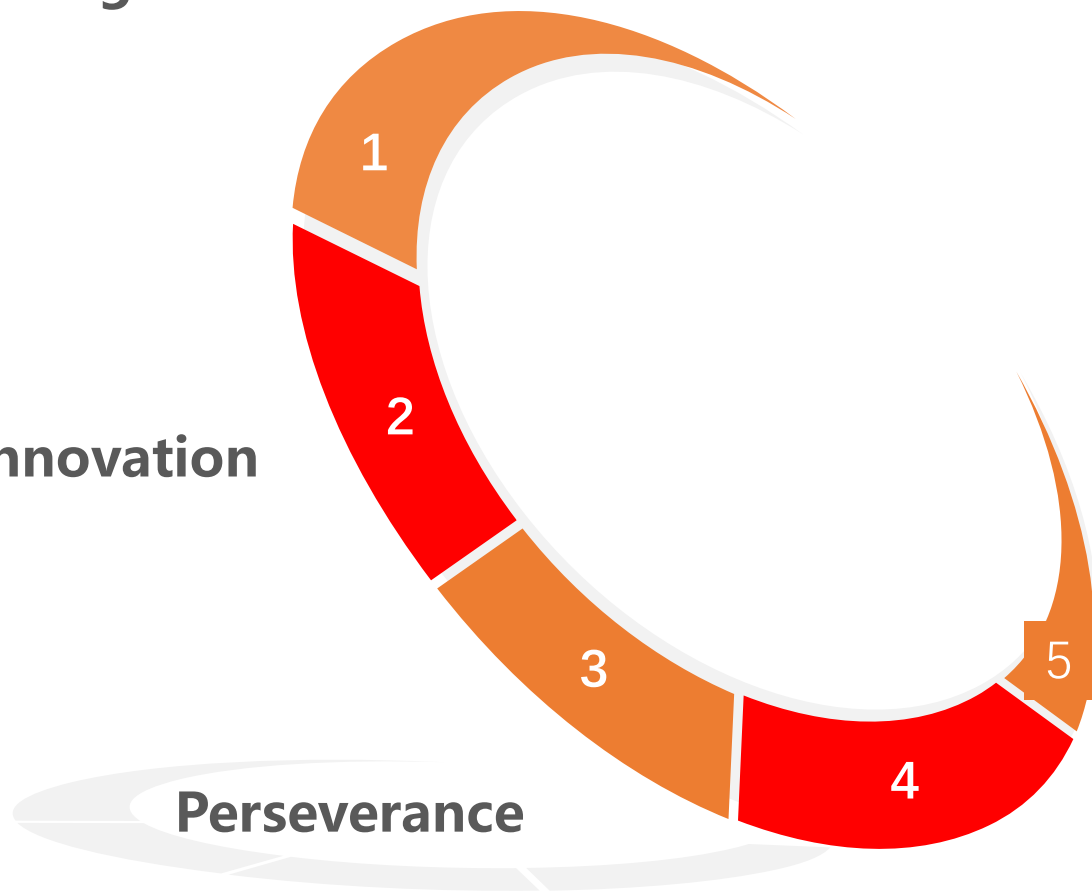
Farsightedness

Innovation

Perseverance

Decision

Union





Provide OEM technical support and service

- 1.Strong r & D production capacity, professional sales team
- 2.Rich experience in product operation
- 3.Strong supply chain integration capability
- 4.Committed to creating the future of fire truck accessories

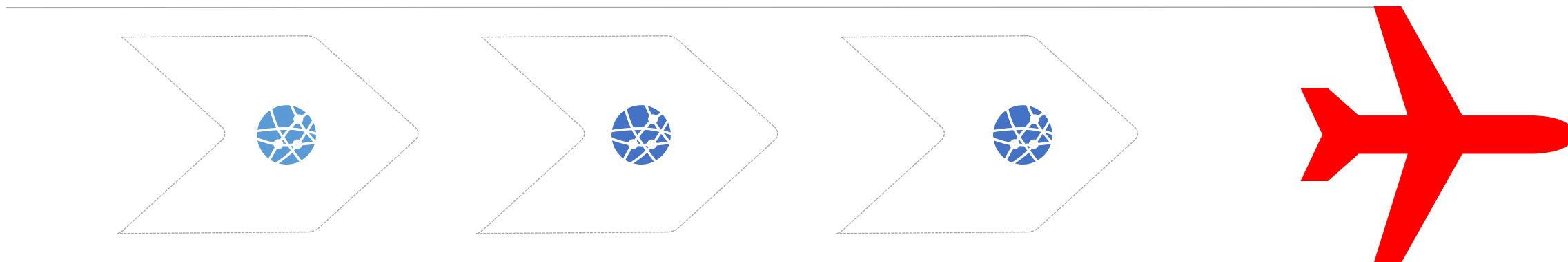


Core Technology 1

Fire truck body design and produce

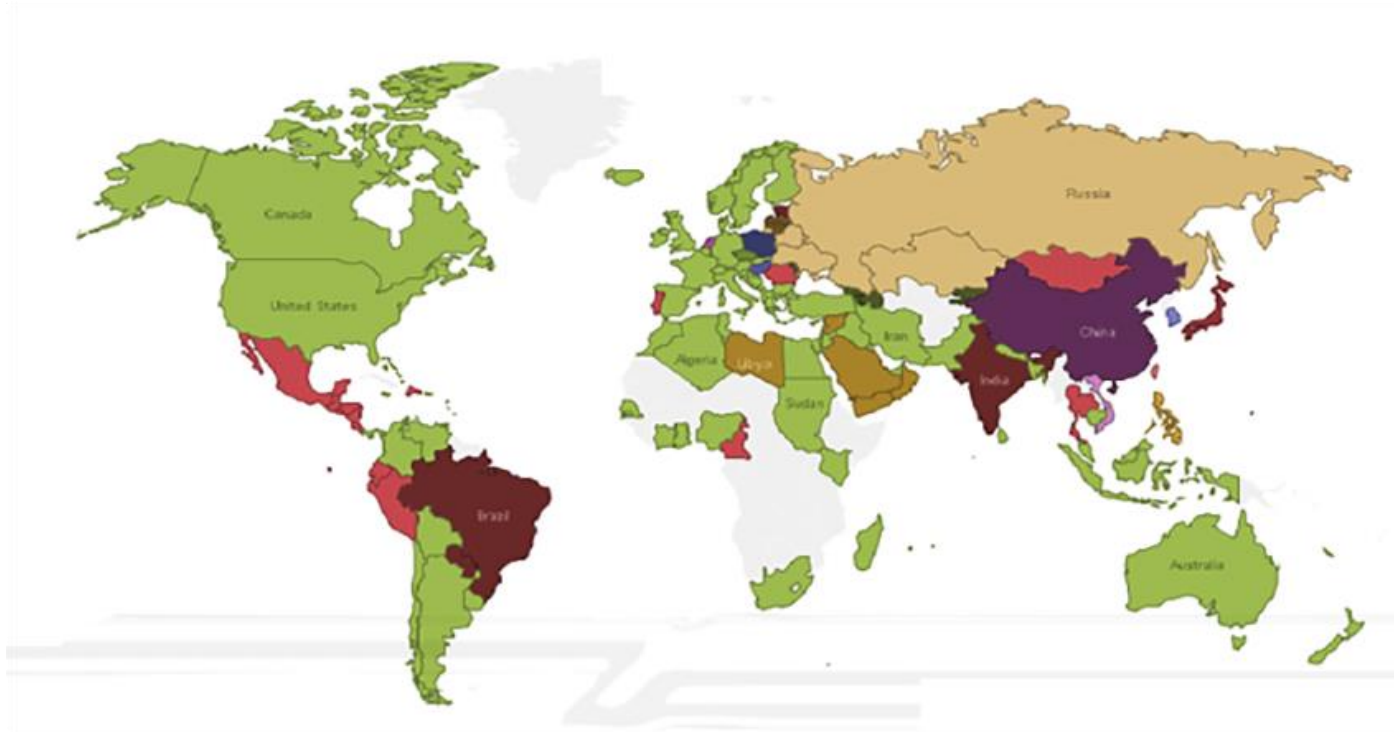
Core Technology 2

Refrigerated truck body design and produce



Core Technology 3

Curtain side Truck body design and produce



Sales countries

We export to Spain, Poland ,America, Australia , Thailand, Philippine,SA,UAE,Soudi Arabia ,Singapore etc.



Product introduction

- product display



Fire truck shutter door



Product features

- A. Surface wave type --> better looking
- B. Open types --> more choice
- C. Color: oxide, army green, red, etc.--> more choice
- D. Price cheap --> save cost
- E. Quick delivery



Fire truck shutter door



Product features

- A. thickness of slat :1mm
- B. thickness of oxide :12.7 μ -->supply SGS test report
- C. 5 open types -->more choice
- D. color: bronze , oxide, army green, red , etc.
- E. MOQ 1 set for bronze and oxide color -->more choice
- F. easy to clear the door as it is flat type
- G. very competitive price with good quality
- H. quick delivery



Fire truck shutter door

Product features

- A. Color: bronze-->special for military fire truck
- B. MOQ 1 set for bronze color
- C. Supply for Chinese military fire truck for many years ,quality very strong
- D. Good price with strong quality
- E. quick delivery





Fire truck crew cabin door

Shanghai zishu Industrial Co., Ltd



| | |
|------------------------------|--|
| Part name | fire truck crew glass door |
| Material | alu. +glass |
| Part type | install by screw and nut . |
| Common size | opening height 1400mm*width 896mm/1725*950mm |
| Application scenarios | Fire engine |
| door opening angle | $\geq 85^\circ$ |

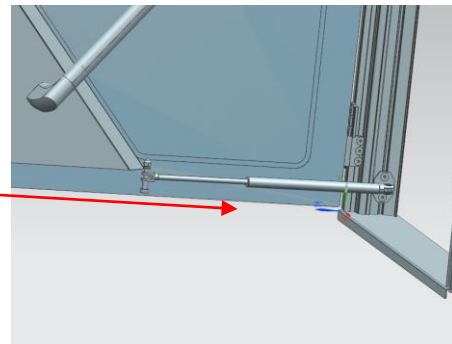
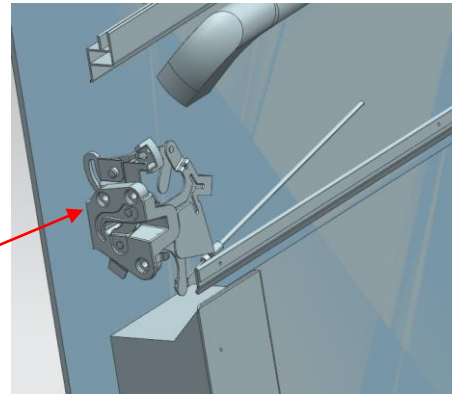
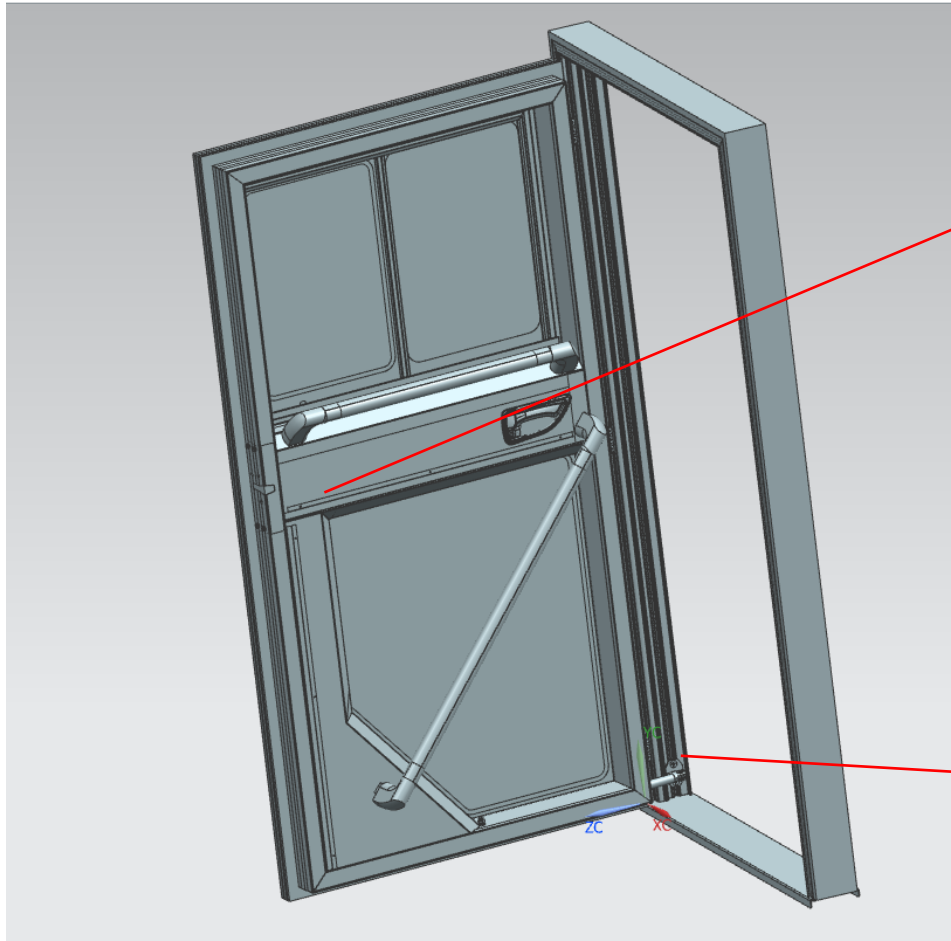


It can also be customized according to the customer's size



Fire truck crew cabin door

Shanghai zishu Industrial Co., Ltd



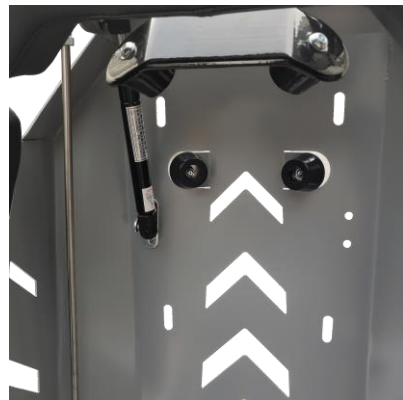
Advantage

1. light weight . 51kg/pcs.
2. supply door with alu. frame ,install then you can use .
3. easy to dismantle when parts broken.
4. easy to install ,only screw connect with your body.
5. could design for other size.



Fire engine breathing seat

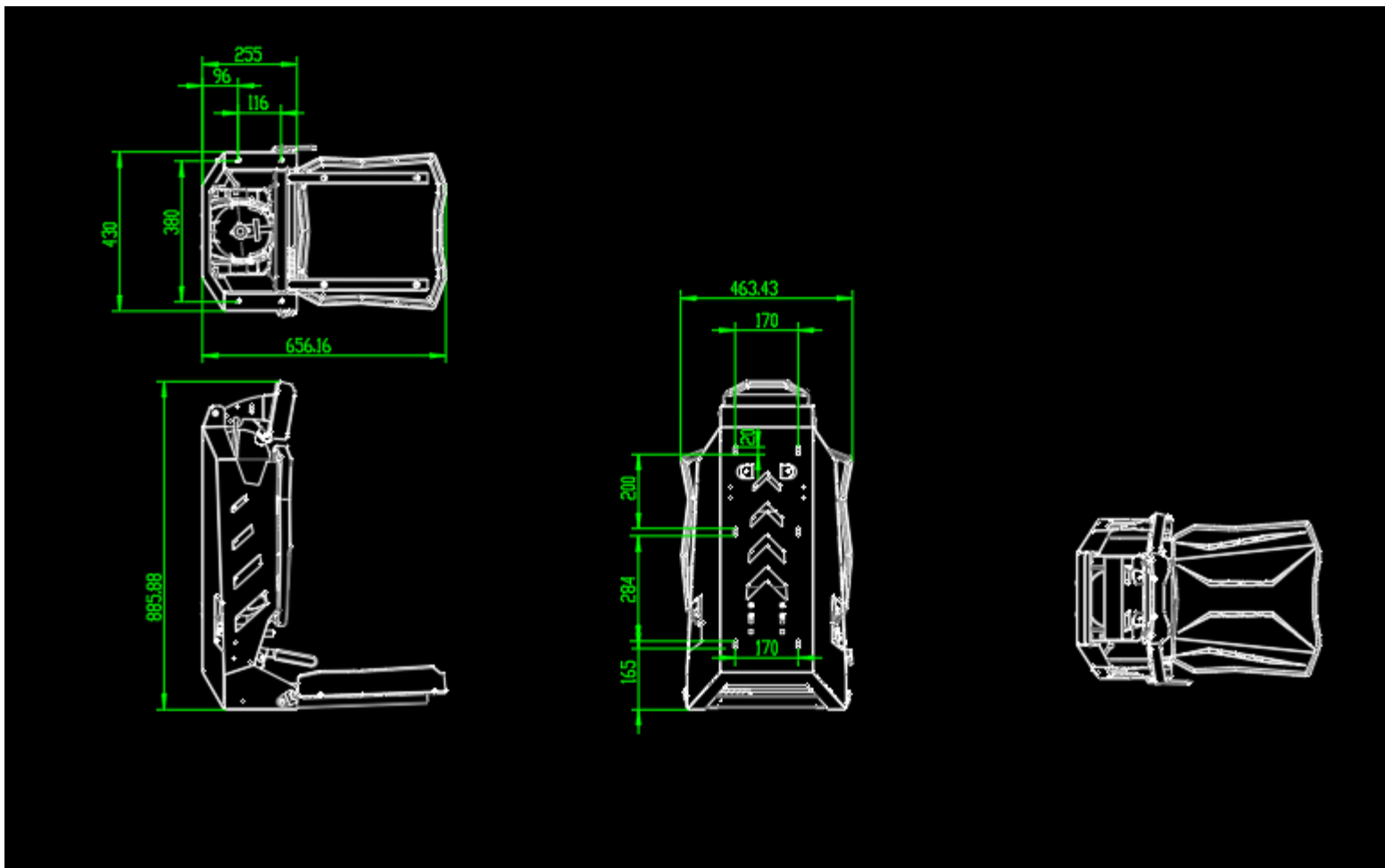
Shanghai zishu Industrial Co., Ltd



| | |
|------------------------------|---|
| Part name | fire truck air breathing apparatus fireman seat |
| Part no | ZSS01 |
| Material | steel +leather |
| Weight | 19kg/set |
| Application scenarios | truck and trailer |
| Packing | 2 sets/carton 6 sets /pallet |
| Install | supply installation guild &video |
| Part type | adjustable seat |



Fire engine breathing seat

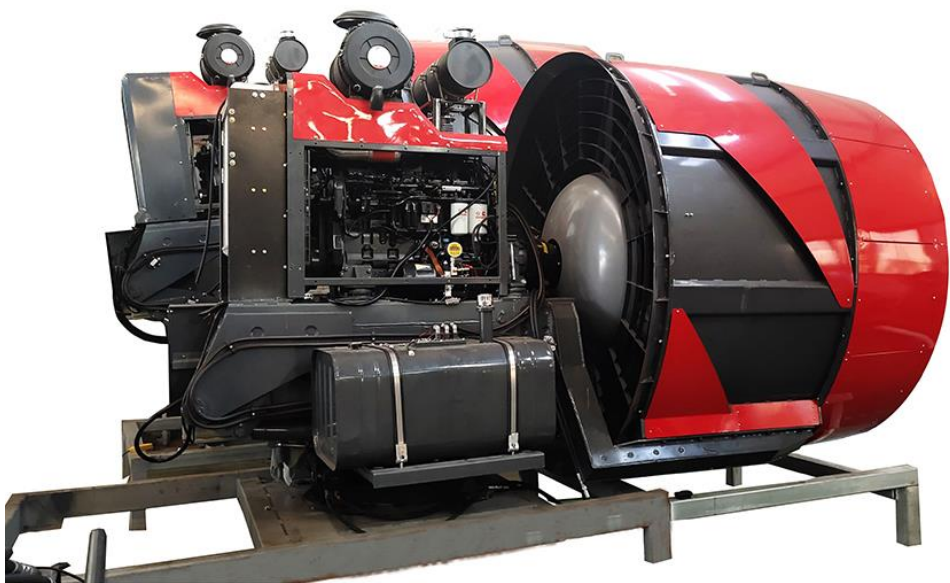


Please refer to the drawing for the size of the chair



Smoke exhaust system of fire engine

Shanghai zishu Industrial Co., Ltd



| | |
|--------------------------------|--|
| Product Name | Fire engine smoke extraction system |
| Material | CFRP |
| OEM | Accept OEM customization |
| Design needs to provide | Corresponding vehicle chassis parameters |
| power | diesel engine |
| Maximum smoke discharge | 590,000 cubic meters per hour |



Smoke exhaust system of fire engine

Shanghai zishu Industrial Co., Ltd

Powertrain

| | |
|-----------------------------|--|
| Type: | 4L, DOHC, TCI, Timing silent chain, DVVT |
| Number of engine cylinders: | 4cylinder |
| Rated power: KW @r/min | 108/5500 |
| Maximum torque: N. m @r/min | 205/4000 |
| Endurance: h | 4h |





Smoke exhaust system of fire engine

smoke extraction system

| | | |
|---------------------------------------|--------------|----------------------------|
| smoke exhaust rate: m ³ /h | | 590000 |
| propeller | Diameter: mm | 1300 |
| | Material | CFRP |
| Pitch motion | Angle | -10~20 |
| | control | Electric control |
| Water system | mist | Traffic: L/S |
| | | 5(According to the demand) |





Smoke exhaust system of fire engine

Shanghai zishu Industrial Co., Ltd

electric control system

| | |
|----------------------|--|
| Power control system | Wire controlled remote control:3m |
| control the content | Engine start and stop, oil volume display, fan pitch, emergency stop, lighting display, etc. |





Smoke exhaust system of fire engine



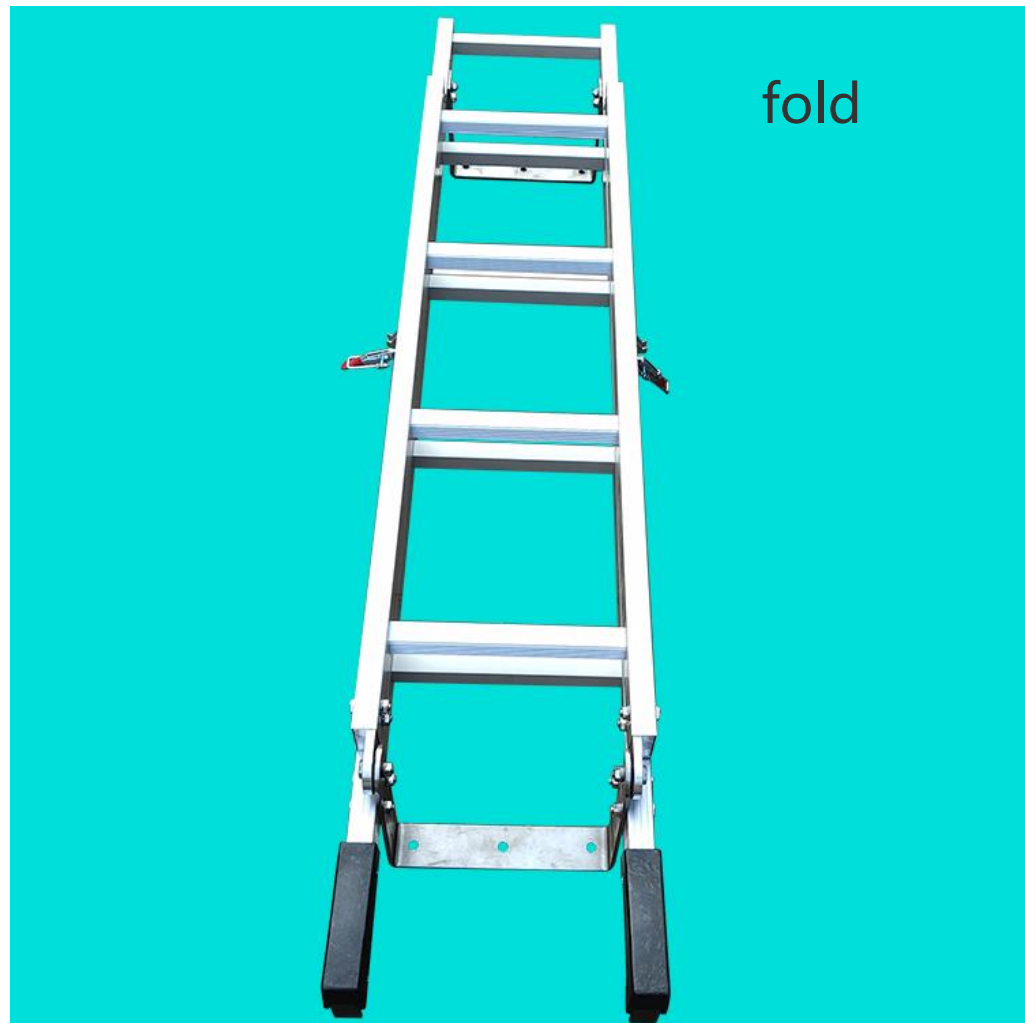
Additional configuration

| | | |
|----------|----------------------------|--|
| Air duct | Positive pressure air duct | 1 .root, 20 meters in length, foldable |
| | Negative pressure air duct | 2. root, 20 meters in length, foldable |



fire truck ladder

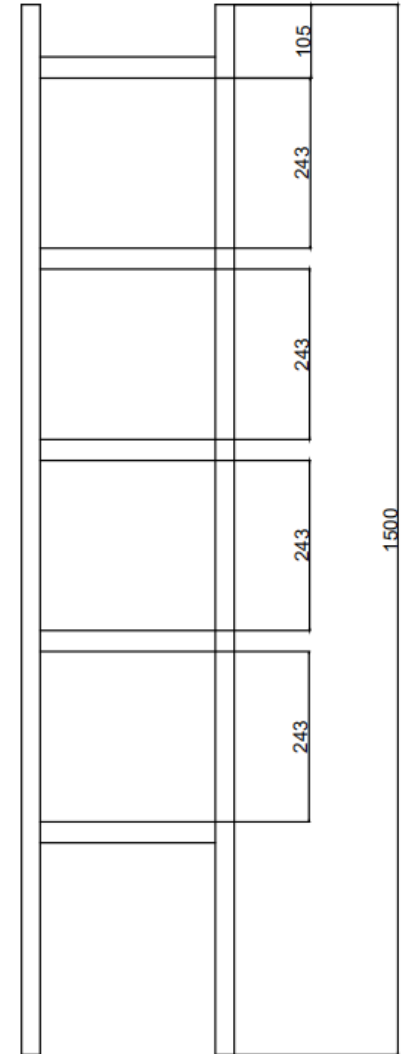
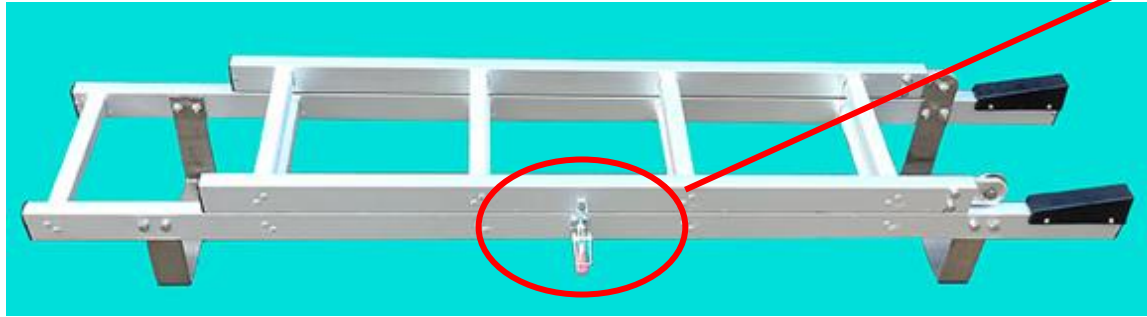
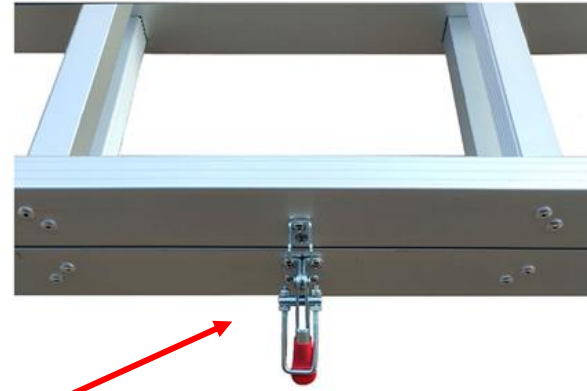
Shanghai zishu Industrial Co., Ltd





fire truck ladder

Shanghai zishu Industrial Co., Ltd



| | |
|------------------|----------------------------------|
| Part name | Aluminum alloy fire truck ladder |
| Part no | ZSFS15 |
| length | 1500mm |
| material | Aluminum alloy and SUS304 |

Thanks



CREATE VALUE FOR CUSTOMERS